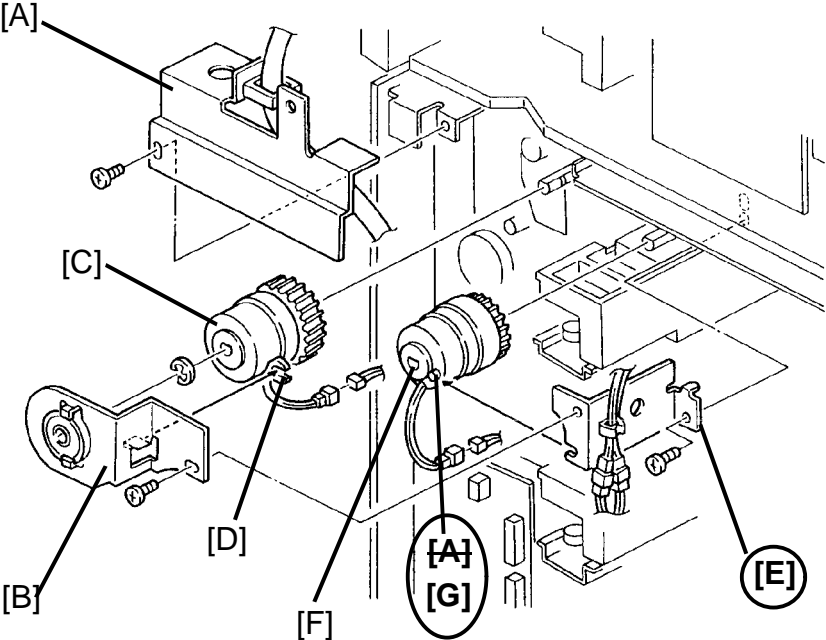


[PAPER TRAY UNIT]

6.3 Tray Unit Drive and Paper Feed Clutch Replacement (page 21) (Call outs of the illustration)



SUBJECT: Rubber Feet on Copier Base Plate

DATE: Mar. 15, '93
PAGE: 1 of 1

PREPARED BY: M. Furusawa
CHECKED BY: T. Ito

FROM: Copier Technical Support Section

CLASSIFICATION:

Action Required

Troubleshooting

Retrofit Information

Revision of service manual

Information only

Other

MODEL:

**A7 Series
(A069/A073/A074)**

Please be informed that the material for rubber feet [A] on the copier base plate has been changed from hard rubber to molding since June, 1992.

The reason is as follows:

When the copier is installed on the paper tray unit, the rubber feet are compressed by the copier's weight and they may be shortened.

When this occurs the gear mesh between the tray unit drive and driven gears [B,C] becomes tight, causing noise.

To prevent this, the material of the feet has been changed to a hard one. The part number has not been changed.

As the height of the A7 copier is above that of other copiers, the copier will be installed on the paper tray unit or its unique table normally, in order to operate the copier easily.

However, in case that the copier is installed on a normal commercial table, please note that the copier may slip on the table rather easily with the new feet.

If the copier slips easily on the table, it is advised to stick rubber plates on the feet by glue or two sided tape for safety. You can use a commercial rubber plate and cut it for the feet.

